

FEATURES

- Endurance with ripple current: 105°C, 2000 hours

SPECIFICATIONS

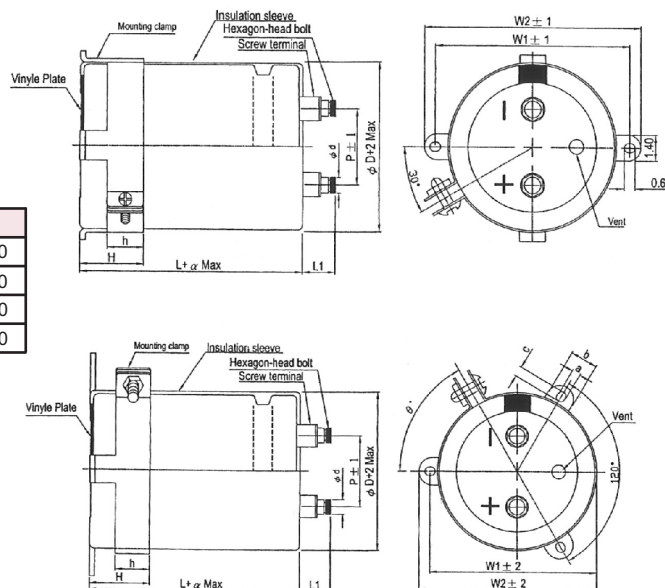
Item	Performance					
Operating Temp.	-40°C ~+105°C					
Capacitance Tolerance	± 20% (120Hz, 20°C)					
Leakage Current (at 20°C)	I = 0.01CV or 5 (mA) whichever is smaller (after 5 minutes) Where, C= rated capacitance in F. V= rated DC working voltage in V.					
Dissipation Factor Tan at 120Hz, 20°C	Rated Voltage	16 ~ 100			160 ~ 450	
	Tan (max)	See the case size list			0.15	
Low Temperature Characteristics (at 120Hz)	Capacitance change: C(-25°C)/ C(+20°C) 0.7					
Load Life Test at 20°C after subjected to DC voltage with rated rippled current applied for 2000	Test Time	2000 hours				
	Capacitance Change	Within ± 20% of initial value				
	Dissipation Factor	Less than 200% of specified value				
	Leakage Current	Within specified value				
Shelf Life Test at 20°C after exposing them for 500 hours at 105°C without voltage applied. The rated voltage shall be applied to the capacitors before the measurements. (Refer to JIS 5102)	Test Time	500 hours				
	Capacitance Change	Within ±20% of initial value				
	Dissipation Factor	Less than 200% of specified value				
	Leakage Current	Within specified value				
Ripple Current & Frequency Multipliers	Frequency (Hz)	50 / 60	120	300	1K	10K up
	Multiplier	0.8.	1.0	1.1	1.3	1.4
Ripple Current & Temperature Multipliers	Temperature (°C)	40	55	70	85	105
	Multiplier ≤ 250V	4.9	3.9	3.0	1.8	1.0
	Multiplier ≥ 350V	3.8	3.3	2.5	2.0	1.0
Standards	Satisfies Characteristic W of JIS C 5101-4					

DIMENSIONS

D	P	L1	W1	W2	H	h
35	12.7	2	10.0	48	58	15.0

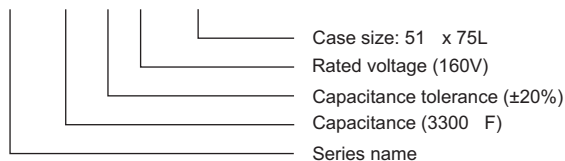
Screw Specifications:
Plus hexagon-headed screw: M5 x 0.8 x 10
Max. screw tightening torque: 3.23Nm

D	P	L1	W1	W2	H	h	a	b	c	
51	22.0	2	10	61.0	65.5	21.5	15.0	7.0	12.0	4.5
64	28.6	2	10	72.5	78.0	25.0	20.0	7.0	14.0	4.5
77	32.0	2	10	85.5	91.0	35.0	20.0	8.0	16.0	4.5
90	32.0	2	10	101	106	34.5	20.0	8.0	16.0	5.0



PART NUMBER EXAMPLE

MGA332 M 2C - B075



DIMENSION & PERMISSIBLE RIPPLE CURRENT

Dimension: D x L (mm)
 Tan : 120Hz, 20°C
 Ripple Current: A/rms at 120Hz, 85°C

V.DC Item F	16V (1C)				25V (1E)				35V (1V)				50V (1H)			
	Size Code	D x L	Tan	Ripple Current	Size Code	D x L	Tan	Ripple Current	Size Code	D x L	Tan	Ripple Current	Size Code	D x L	Tan	Ripple Current
3,900													A053	35x53	0.25	2.8
4,700													A053	35x53	0.25	3.1
5,600													A053	35x53	0.25	3.3
6,800													A053	35x53	0.25	3.3
8,200									A053	35x53	0.30	3.3	A065	35x65	0.25	3.8
10,000									A053	35x53	0.30	3.6	A083	35x83	0.25	4.6
12,000					A053	35x53	0.35	3.7	A065	35x65	0.30	4.2	A083	35x83	0.30	5.1
15,000					A053	35x53	0.35	4.1	A065	35x65	0.30	4.7	A083	35x83	0.30	5.7
18,000	A053	35x53	0.40	4.2	A065	35x65	0.35	4.8	A083	35x83	0.35	5.7	A100	35x100	0.35	6.7
22,000	A053	35x53	0.40	4.7	A065	35x65	0.35	5.3	A083	35x83	0.35	6.3	A121	35x121	0.35	8.1
27,000	A053	35x53	0.40	5.5	A083	35x83	0.40	6.4	A100	35x100	0.40	7.5	B075	51x75	0.40	9.1
33,000	A065	35x65	0.45	5.7	A083	35x83	0.40	6.7	A121	35x121	0.40	9.0	B100	51x100	0.40	11.1
39,000	A065	35x65	0.50	6.8	A100	35x100	0.40	7.8	B075	51x75	0.45	9.2	B121	51x121	0.40	13.1
47,000	A083	35x83	0.50	7.1	A121	35x121	0.40	9.3	B100	51x100	0.45	11.2	B121	51x121	0.40	13.9
56,000	A100	35x100	0.55	8.4	B075	51x75	0.50	9.7	B100	51x100	0.50	11.4	C100	64x100	0.45	13.9
68,000	A121	35x121	0.60	8.8	B100	51x100	0.50	11.2	B121	51x121	0.50	13.6	C121	64x121	0.45	16.6
82,000	B083	51x83	0.60	10.7	B100	51x100	0.60	11.2	C100	64x100	0.60	14.8	D121	77x121	0.50	18.9
100,000	B083	51x83	0.70	10.8	B121	51x121	0.60	14.8	C121	64x121	0.60	17.6	D121	77x121	0.50	19.5
120,000	B100	51x100	0.70	13.1	C100	64x100	0.80	14.9	C121	64x121	0.70	17.6	D121	77x121	0.50	19.5
150,000	B121	51x121	0.80	15.3	C121	64x121	0.80	17.9	D121	77x121	0.70	19.8	E130	90x130	0.50	22.5
180,000	B121	51x121	0.90	15.7	C121	64x121	1.00	17.9	D121	77x121	0.70	19.8	E157	90x157	0.50	23.9
220,000	C121	64x121	0.90	19.2	D121	77x121	1.00	21.3	D144	77x144	0.70	23.4				
270,000	C121	64x121	1.00	19.6	D121	77x121	1.00	21.7	E157	90x157	0.70	25.5				
330,000	D121	77x121	1.20	21.1	D144	77x144	1.00	23.4								
390,000	D121	77x121	1.30	21.3	E130	90x130	1.00	24.9								
470,000	D144	77x144	1.60	24.2												

V.DC Item F	63V (1J)				80V (1K)				100V (2A)				160V (2C)			
	Size Code	D x L	Tan	Ripple Current	Size Code	D x L	Tan	Ripple Current	Size Code	D x L	Tan	Ripple Current	Size Code	D x L	Tan	Ripple Current
560													A053	35x53	0.15	1.2
680													A053	35x53	0.15	1.3
820													A065	35x65	0.15	1.4
1,000													A083	35x83	0.15	1.8
1,200													A083	35x83	0.15	1.9
1,500													A083	35x83	0.15	2.1
1,800									A053	35x53	0.15	2.7	A083	35x83	0.15	2.5
2,200					A053	35x53	0.15	2.4	A053	35x53	0.15	3.0	A100	35x100	0.15	2.8
2,700	A053	35x53	0.20	2.3	A053	35x53	0.15	2.7	A065	35x65	0.15	3.5	A100	35x100	0.15	3.3
3,300	A053	35x53	0.20	2.5	A053	35x53	0.15	3.0	A083	35x83	0.15	4.2	B075	51x75	0.15	3.8
3,900	A053	35x53	0.20	2.8	A065	35x65	0.15	3.4	A083	35x83	0.15	4.2	B075	51x75	0.15	3.8
4,700	A053	35x53	0.20	3.1	A065	35x65	0.15	3.7	A100	35x100	0.15	5.0	B096	51x96	0.15	4.6
5,600	A065	35x65	0.20	3.5	A083	35x83	0.20	4.5	A100	35x100	0.15	5.4	B096	51x96	0.15	5.1
6,800	A065	35x65	0.20	3.9	A083	35x83	0.20	4.9	A121	35x121	0.15	5.8	C096	64x96	0.15	6.1
8,200	A083	35x83	0.20	4.4	A100	35x100	0.20	5.1	B075	51x75	0.15	6.4	C096	64x96	0.15	7.0
10,000	A083	35x83	0.25	4.7	A121	35x121	0.20	6.1	B100	51x100	0.15	7.8	D096	77x96	0.15	8.4
12,000	A100	35x100	0.25	5.5	B075	51x75	0.25	6.7	B121	51x121	0.20	9.3	D115	77x115	0.15	9.4
15,000	A121	35x121	0.25	6.6	B100	51x100	0.25	8.3	B121	51x121	0.20	10.4	D130	77x130	0.15	11.4
18,000	B075	51x75	0.25	7.4	B121	51x121	0.25	9.9	C100	64x100	0.20	10.4	D144	77x144	0.15	13.4
22,000	B100	51x100	0.25	9.0	B121	51x121	0.25	11.0	C121	64x121	0.20	12.5	E130	90x130	0.15	14.5
27,000	B121	51x121	0.30	10.9	C100	64x100	0.30	11.4	D121	77x121	0.25	13.7	E157	90x157	0.15	16.0
33,000	B121	51x121	0.30	12.0	D100	77x100	0.30	13.9	D121	77x121	0.25	15.2				
39,000	C100	64x100	0.30	12.5	D100	77x100	0.30	13.9	D144	77x144	0.25	16.1				
47,000	C121	64x121	0.30	14.9	D121	77x121	0.30	16.5	E130	90x130	0.25	19.3				
56,000	D121	77x121	0.35	16.3	D121	77x121	0.30	18.1	E157	90x157	0.25	21.0				
68,000	D121	77x121	0.35	18.4	D144	77x144	0.30	19.7								
82,000	D144	77x144	0.40	20.0	E130	90x130	0.30	22.1								
100,000	D144	77x144	0.40	20.0												
120,000	E157	90x157	0.40	21.8												

DIMENSION & PERMISSIBLE RIPPLE CURRENT

Dimension: D x L (mm)

Tan : 120Hz, 20°C

Ripple Current: A/rms at 120Hz, 85°C

V.DC Item F	200V (2D)				250V (2E)				350V (2V)				400V (2G)			
	Size Code	D x L	Tan	Ripple Current	Size Code	D x L	Tan	Ripple Current	Size Code	D x L	Tan	Ripple Current	Size Code	D x L	Tan	Ripple Current
180									A053	35x53	0.15	0.8	A053	35x53	0.15	0.8
220									A053	35x53	0.15	0.9	A053	35x53	0.15	0.9
270					A053	35x53	0.15	0.8	A053	35x53	0.15	1.0	A065	35x65	0.15	1.1
330	A053	35x53	0.15	0.9	A053	35x53	0.15	0.9	A065	35x65	0.15	1.2	A065	35x65	0.15	1.2
390	A053	35x53	0.15	1.0	A053	35x53	0.15	1.0	A065	35x65	0.15	1.3	A083	35x83	0.15	1.3
470	A053	35x53	0.15	1.1	A053	35x53	0.15	1.1	A083	35x83	0.15	1.5	A083	35x83	0.15	1.4
560	A053	35x53	0.15	1.2	A065	35x65	0.15	1.4	A083	35x83	0.15	1.6	A100	35x100	0.15	1.6
680	A053	35x53	0.15	1.3	A083	35x83	0.15	1.5	A100	35x100	0.15	1.7	A100	35x100	0.15	1.7
820	A065	35x65	0.15	1.5	A083	35x83	0.15	1.6	A100	35x100	0.15	1.8	A121	35x121	0.15	2.0
1,000	A083	35x83	0.15	1.7	A100	35x100	0.15	1.8	B075	51x75	0.15	2.2	B075	51x75	0.15	2.2
1,200	A083	35x83	0.15	1.9	A100	35x100	0.15	1.9	B075	51x75	0.15	2.3	B096	51x96	0.15	2.7
1,500	A100	35x100	0.15	2.3	B075	51x75	0.15	2.3	B096	51x96	0.15	3.0	B115	51x115	0.15	3.3
1,800	A100	35x100	0.15	2.5	B075	51x75	0.15	2.5	B115	51x115	0.15	3.6	B130	51x130	0.15	3.7
2,200	B075	51x75	0.15	3.0	B096	51x96	0.15	3.0	B130	51x130	0.15	4.0	C096	64x96	0.15	4.2
2,700	B096	51x96	0.15	3.6	B115	51x115	0.15	3.5	C096	64x96	0.15	4.6	C115	64x115	0.15	4.8
3,300	B096	51x96	0.15	4.0	C096	64x96	0.15	4.2	C115	64x115	0.15	5.6	C130	64x130	0.15	5.5
3,900	B115	51x115	0.15	4.9	C096	64x96	0.15	4.6	C130	64x130	0.15	6.7	D115	77x115	0.15	6.5
4,700	C096	64x96	0.15	5.3	C115	64x115	0.15	5.7	D121	77x121	0.15	7.5	D130	77x130	0.15	7.6
5,600	C096	64x96	0.15	5.8	C130	64x130	0.15	6.3	D130	77x130	0.15	8.3	D155	77x155	0.15	9.4
6,800	C115	64x115	0.15	6.9	D115	77x115	0.15	7.7	D155	77x155	0.15	9.4	E157	90x157	0.15	10.4
8,200	C130	64x130	0.15	7.6	D130	77x130	0.15	8.4	E157	90x157	0.15	11.4	E157	90x157	0.15	11.8
10,000	D115	77x115	0.15	9.6	D155	77x155	0.15	10.0								
12,000	D130	77x130	0.15	10.2	E140	90x140	0.15	11.9								
15,000	E130	90x130	0.15	12.2	E157	90x157	0.15	12.5								
18,000	E157	90x157	0.15	13.0												